



MCR-33-101



Full-length evaporator coil and vertical fan tower provide evenly distributed cooling.



MB MASTER-BILT[®]

MASTER-CHILL[™]

MCR-33-101 & MCR-33-102 SERIES

Roll-in & Pass-Thru Blast Chillers/Freezers

ROLL-IN MODELS

- MCR-33-101
- MCR-33-102

PASS-THRU MODELS

- MCR-33-101PT
- MCR-33-102PT

FEATURES

CONSTRUCTION

- Stainless steel interior and exterior with polyurethane foamed-in-place insulation
- Interior light
- Door gasket heater
- High velocity forced air convection through evaporator coil
- HACCP compliant recording thermometer for blast chiller ambient air temperature (requires printer to have record)
- 3 food temperature probes with sequential readout display in MCR-33-101, 6 probes in MCR-33-102
- Automatic chill cycle control with food temperature probes

DOORS

- Door dimensions: 30" x 78"
- Flush mounted
- 36" high 16 ga. stainless steel kick-plate on door exterior

REFRIGERATION SYSTEM

- An air-cooled condensing unit will be supplied if required

CONTROL PANEL

- HACCP compliant recording features
- Surface mounted on exterior of blast chiller
- On/off switch
- Digital readout of interior ambient temperature
- Digital cycle timer
- Microprocessor control system enclosed in easily accessible box
- Automatic air defrost cycle
- Automatic hold cycle
- Audible alarm at end of chilling cycle

RACK

- Racks provided:
 - MCR-33-101..... 1
 - MCR-33-102..... 2
- Stainless steel construction
- Accommodates 26 pans, 12" x 20" x 2 1/2", two per each of 13 ledges
- Ledges on 4 1/2" spacing
- Each pan holds up to 10 pounds of food for total rack quantity of 260 lbs.
- Rack dimensions: 24 1/2" wide x 27" deep x 68 5/16" high
- Rack mounted on heavy-duty swivel casters

COOLING TIME

- Maximum load of 260 pounds of food requires approximately 90 minutes per cooling cycle depending on food density and input temperature of food

WARRANTY

- Standard limited one year extended compressor (optional four year extended warranty available), one year limited parts, limited 10 year panel warranty

OPTIONS

- Available for blast freezer applications
- Optional finishes
- Add suffix "C" for correctional model
- Extended four year compressor warranty



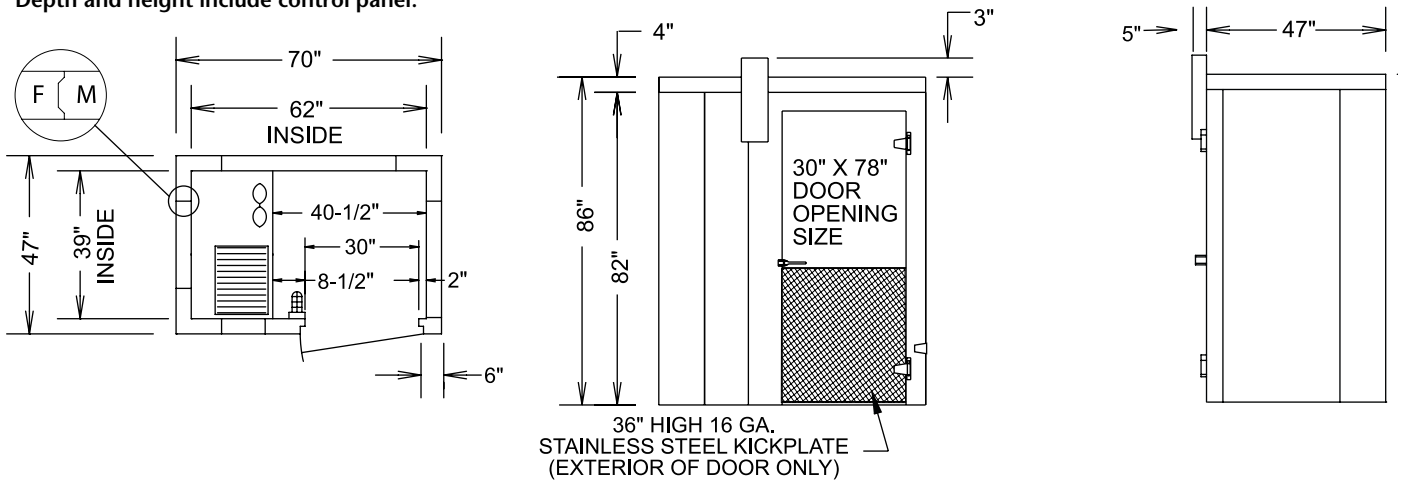
MASTER-CHILL™ MCR-33-101 & MCR-33-102 SERIES

ROLL-IN & PASS-THRU BLAST CHILLERS/FREEZERS

TECHNICAL SPECIFICATIONS

MODEL	DIMENSIONS (in inches)			DIMENSIONS (in millimeters)			VOLTS	MCA	MAX. FUSE	SHIP WT. LB/KG
	L	D*	H*	L	D*	H*				
ROLL-IN										
MCR-33-101	70	52	89	1778	1194	2184	208-230/1ph/4-wire	9	15	1500/682
MCR-33-102	70	98	89	1778	2362	2184	208-230/1ph/4-wire	16	20	3000/1364
PASS-THRU										
MCR-33-101PT	70	52	89	1778	1194	2184	208-230/1ph/4-wire	9	15	1500/682
MCR-33-102PT	70	98	89	1778	2362	2184	208-230/1ph/4-wire	16	20	3000/1364

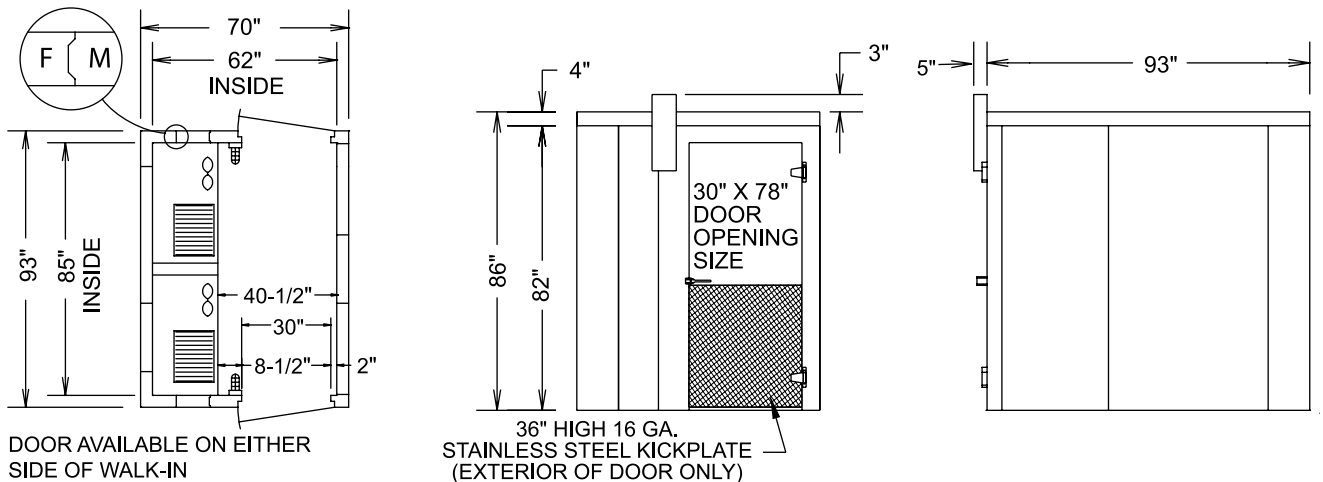
*Depth and height include control panel.



MCR-33-101 PLAN VIEW

MCR-33-101 FRONT VIEW

MCR-33-101 SIDE VIEW



DOOR AVAILABLE ON EITHER SIDE OF WALK-IN

MCR-33-102 PLAN VIEW

MCR-33-102 FRONT VIEW

MCR-33-102 SIDE VIEW

LISTINGS



HOOKUP

Hardwire, remote refrigeration.

REFRIGERATION SYSTEM TECHNICAL SPECIFICATIONS

All condensing units must include a suction accumulator. Pull down time reflects time necessary to lower listed quantity of food from 140°F to 40°F. All units listed contain R-448A/R-449A refrigerant.

COND. UNIT MODEL*	H.P.	BTUH @ -20°F SUCTION TEMP.**	UNIT CONNECTION SIZES		DIMENSIONS SEE DRAWING... (PP. 4-5)	RECEIVER PUMPDOWN CAP. @ 90%	SHIP WT. (LB/KG)	MCA**	MOP**	RLA**	LRA**	PULL DOWN HRS.
			LIQUID	SUCTION								
MCR-33-101, 200 LB. CAPACITY												
MSLD030AB	3	9,600	3/8	7/8	M3	17.7	250/114	33	40	17.1	88	2.2
MSLD030AC	3	9,701	3/8	7/8	M3	17.7	250/114	25	30	8.7	77	2.1
MSLD030AE	3	9,701	3/8	7/8	M3	17.7	250/114	19	20	4.5	39	2.1
MSLD035AB	3.5	11,759	3/8	7/8	M3	17.7	250/114	38	45	20.7	109	1.8
MSLD035AC	3.5	11,958	3/8	7/8	M3	17.7	250/114	31	35	10.9	88	1.7
MSLD035AE	3.5	11,958	3/8	7/8	M3	17.7	250/114	19	20	5.8	44	1.7
MSLD040AB	4	13,244	1/2	7/8	M3	17.7	250/114	48	60	26.8	129	1.6
MSLD040AC	4	13,732	1/2	7/8	M3	17.7	250/114	31	35	11.9	99	1.5
MSLD040AE	4	13,732	1/2	7/8	M3	17.7	250/114	19	20	6.4	50	1.5
MSLD050AB	5	16,241	1/2	7/8	M5	23.2	300/136	54	70	31.8	169	1.3
MSLD050AC	5	16,643	1/2	7/8	M5	23.2	300/136	38	40	17.0	123	1.2
MSLD050AE	5	16,643	1/2	7/8	M5	23.2	300/136	20	20	8.0	62	1.2
MCR-33-101, 250 LB. CAPACITY												
MSLD040AB	4	13,244	1/2	7/8	M3	17.7	250/114	48	60	26.8	129	2.1
MSLD040AC	4	13,732	1/2	7/8	M3	17.7	250/114	31	35	11.9	99	2.0
MSLD040AE	4	13,732	1/2	7/8	M3	17.7	250/114	19	20	6.4	50	2.0
MSLD050AB	5	16,241	1/2	7/8	M5	23.2	300/136	54	70	31.8	169	1.7
MSLD050AC	5	16,643	1/2	7/8	M5	23.2	300/136	38	40	17.0	123	1.7
MSLD050AE	5	16,643	1/2	7/8	M5	23.2	300/136	20	20	8.0	62	1.7
MSLD060AC	6	20,844	1/2	7/8	M5	23.2	300/136	40	45	19.6	156	1.3
MSLD060AE	6	20,844	1/2	7/8	M5	23.2	300/136	20	20	8.0	75	1.3
MSLD075AC	7.5	26,120	1/2	1 ³ / ₈	M6	47.0	400/182	40	60	24.0	224	1.1
MSLD075AE	7.5	26,120	1/2	1 ³ / ₈	M6	47.0	400/182	21	25	10.4	99	1.1
MCR-33-102, 400 LB. CAPACITY												
MSLD060AC	6	20,844	1/2	7/8	M5	23.2	300/136	40	45	19.6	156	2.2
MSLD060AE	6	20,844	1/2	7/8	M5	23.2	300/136	20	20	8.0	75	2.2
MSLD075AC	7.5	26,120	1/2	1 ³ / ₈	M6	47.0	400/182	40	60	24.0	224	1.8
MSLD075AE	7.5	26,120	1/2	1 ³ / ₈	M6	47.0	400/182	21	25	10.4	99	1.8
MSLD100AC	10	33,879	5/8	1 ⁵ / ₈	M6	47.0	450/205	54	80	33.3	239	1.4
MSLD100AE	10	33,879	5/8	1 ⁵ / ₈	M6	47.0	450/205	32	40	16.0	100	1.4
MSLD130AC	13	41,645	5/8	1 ⁵ / ₈	M6	47.0	500/227	54	80	33.3	239	1.1
MSLD130AE	13	41,645	5/8	1 ⁵ / ₈	M6	47.0	500/227	32	40	16.0	100	1.1
MCR-33-102, 500 LB. CAPACITY												
MSLD060AC	6	20,844	1/2	7/8	M5	23.2	300/136	40	45	19.6	156	2.5
MSLD060AE	6	20,844	1/2	7/8	M5	23.2	300/136	20	20	8.0	75	2.5
MSLD075AC	7.5	26,120	1/2	1 ³ / ₈	M6	47.0	400/182	40	60	24.0	224	2.0
MSLD075AE	7.5	26,120	1/2	1 ³ / ₈	M6	47.0	400/182	21	25	10.4	99	2.0
MSLD100AC	10	33,879	5/8	1 ⁵ / ₈	M6	47.0	450/205	54	80	33.3	239	1.5
MSLD100AE	10	33,879	5/8	1 ⁵ / ₈	M6	47.0	450/205	32	40	16.0	100	1.5
MSLD130AC	13	41,645	5/8	1 ⁵ / ₈	M6	47.0	500/227	54	80	33.3	239	1.3
MSLD130AE	13	41,645	5/8	1 ⁵ / ₈	M6	47.0	500/227	32	40	16.0	100	1.3
MSLD150AC	15	49,106	5/8	2 ¹ / ₈	M6	47.0	550/250	69	100	45.5	339	1.1
MSLD150AE	15	49,106	5/8	2 ¹ / ₈	M6	47.0	550/250	32	45	18.1	139	1.1

***VOLTAGE KEY:**

"B" suffix = 208-230 volt, 60 cycle, one phase

"C" suffix = 200-230 volt, 60 cycle, three phase

"E" suffix = 460 volt, 60 cycle, three phase

****Based on 90°F ambient**

*****Electrical ratings for condensing unit only. See National Electrical Code if units are combined on a single circuit.**

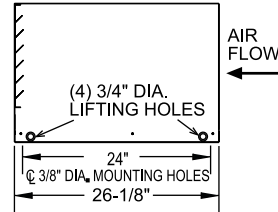
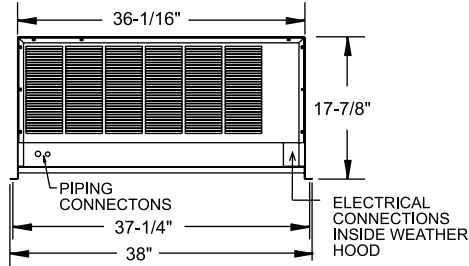


MASTER-CHILL™ MCR-33-101 & MCR-33-102 SERIES

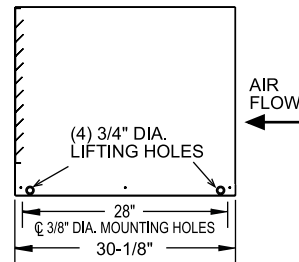
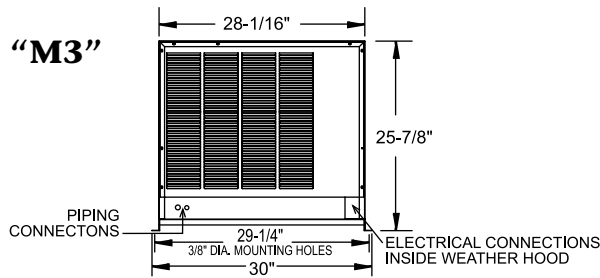
ROLL-IN & PASS-THRU BLAST CHILLERS/FREEZERS

REFRIGERATION SYSTEM TECHNICAL SPECIFICATIONS (cont.)

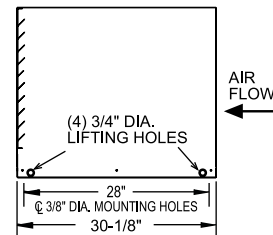
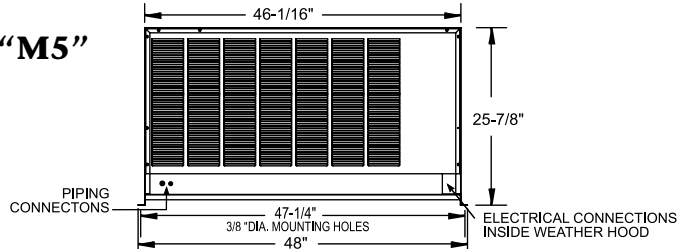
BASE "M2"



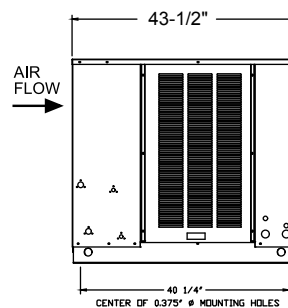
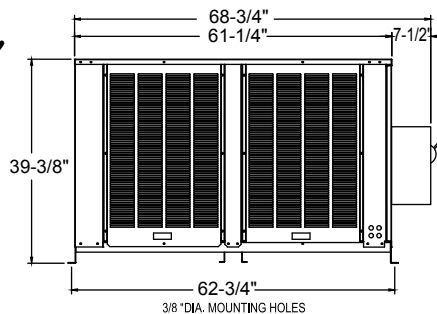
BASE "M3"



BASE "M5"



BASE "M6"



NOTE: All specifications subject to change without notice.



908 Highway 15 North • New Albany, MS 38652
 PHONE: 800-647-1284 or 662-534-9061 • FAX: 800-232-3966 or 662-534-6049 • www.master-bilt.com

