



MBFGM73HB

MBFGM SERIES

Bottom Mounted Full-Height Swing Glass Door Freezer Merchandisers

MODELS

- MBFGM24H*
- MBFGM50H*
- MBFGM73H*

Insert suffix "B" for black interior/exterior or "W" for white interior/exterior.

FEATURES

CONSTRUCTION

- Black interior/exterior or white interior/exterior
- Stainless steel floor
- Foamed-in-place with polyurethane insulation
- Two LED light strips per door for maximum product illumination
- Four heavy duty adjustable cantilever shelves per door
- Product label strips on shelves
- Heavy duty factory-installed casters
- Electronic adjustable temperature control with digital display

DOORS

- Self-closing swing doors with energy efficient triple pane glass
- Standard lock for each door
- Magnetic gaskets

REFRIGERATION

- Self-contained bottom mounted, air cooled refrigeration system with coated evaporator coil
- Automatic defrost
- Condensate is collected and automatically evaporated from an energy efficient vaporizer

- Refrigerant flow is controlled by a capillary tube
- R290 refrigerant
- Temperature range: -10°F to +10°F

WARRANTY

- **Standard limited three year parts and labor**
- **Additional two year coverage on compressor part**

BID SPECIFICATIONS

Item no. MBFGM_____
 Provide_____() bottom mounted full-heightswing glass door merchandiser freezer(s) Master-Bilt® model MBFGM_____.

Merchandiser to be constructed of black interior/exterior or white interior/exterior. A stainless steel floor will be standard.

Other standard features will include two LED light strips per door and factory-installed casters.

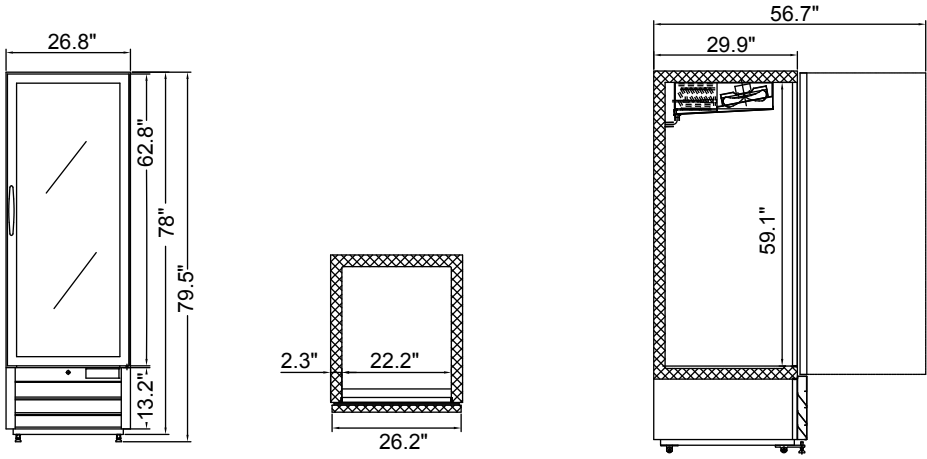
Merchandiser will also feature four heavy-duty adjustable cantilever shelves per door.

Locking swing doors will be self-closing with triple pane glass and magnetic gaskets.

Refrigeration system will contain R290 refrigerant in all models. The temperature range will be -10° to 10°F .

Merchandiser to have standard limited three year parts and labor with additional two year coverage on compressor part.

Merchandiser to be ETL listed in the U.S. and Canada and ETL Sanitation listed.

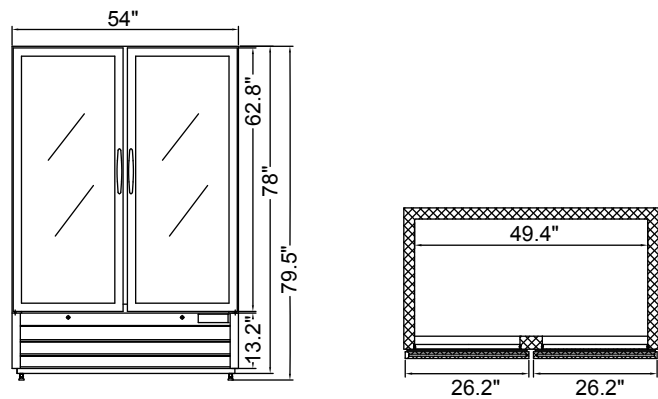


FRONT

TOP

MBFGM24H*

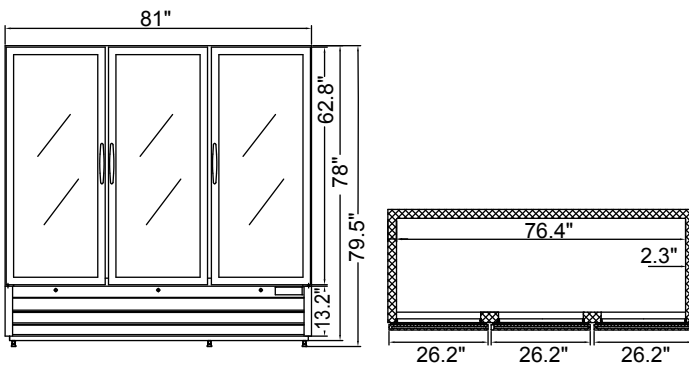
SIDE
ALL MODELS



FRONT

TOP

MBFGM50H*



FRONT

TOP

MBFGM73H*

SPECIFICATIONS

| Models | MBFGM24H* | MBFGM50H* | MBFGM73H* |
|-----------------------------------|------------------|------------------|------------------|
| <i>Crated Weight (lbs) (kg)</i> | 342 (155) | 564 (256) | 820 (372) |
| <i>Crated Height (in) (mm)</i> | 84.6 (2149) | 84.6 (2149) | 84.6 (2149) |
| <i>Crated Width (in) (mm)</i> | 28.3 (719) | 55.5 (1410) | 82.6 (2098) |
| <i>Crated Depth (in) (mm)</i> | 34.8 (884) | 34.8 (884) | 34.8 (884) |
| <i>Interior Height (in) (mm)</i> | 52.0 (1321) | 52.0 (1321) | 52.0 (1321) |
| <i>Interior Width (in) (mm)</i> | 22.2 (564) | 49.4 (1255) | 76.4 (1941) |
| <i>Interior Depth (in) (mm)</i> | 27.6 (701) | 27.6 (701) | 27.6 (701) |
| <i>Overall Height (in) (mm)</i> | 80.75 (2051) | 80.75 (2051) | 80.75 (2051) |
| <i>Overall Width (in) (mm)</i> | 27 (686) | 54 (1372) | 81 (2057) |
| <i>Overall Depth (in) (mm)</i> | 32 (813) | 32 (813) | 32 (813) |
| <i>Gross Cubage (CuFt) (L)</i> | 23.0 (651) | 49.0 (1388) | 72.0 (2039) |
| <i>Number of Shelves</i> | 4 | 8 | 12 |
| <i>Shelf Area (SqFt) (Sqm)</i> | 18.9 (1.8) | 43.4 (4.0) | 67.9 (6.3) |
| <i>Number of Casters</i> | 4 | 4 | 6 |
| <i>Condensing Unit Size</i> | 1/2 | 1 | ** |
| <i>Refrigerant</i> | R290 | R290 | R290 |
| <i>Electrical Characteristics</i> | 115/60/1 | 115/60/1 | 115-230/60/1 |
| <i>Cord and Plug Furnished</i> | Yes | Yes | Yes |
| <i>NEMA Plug Configuration</i> | 5-15P | 5-15P | L14-20P |
| <i>Total Amp Draw</i> | 8.0 | 9.0 | 9.0 |

* Insert suffix "B" for black interior/exterior or "W" for white interior/exterior.
**Consult factory.

NOTE: Cabinet designed for optimum performance in air-conditioned area at 75°F ambient and 55% relative humidity. All specifications subject to change without notice.



727 Second Street • Hudson, WI 54016
800-647-1284 • master-bilt.com

