

ITEM NO. _____
 PROJECT _____
 LOCATION _____
 DATE _____ QTY. _____

CAPSULE PAK™

Two-Piece
 Quick Connect
 Refrigeration Systems

MODELS

- | | |
|---|---|
| <input type="checkbox"/> CPB050DC-A | <input type="checkbox"/> RCPF075JC-S-4-EV |
| <input type="checkbox"/> RCPB075JC-S-4-EV | <input type="checkbox"/> RCPF075JC-E-4-EV |
| <input type="checkbox"/> RCPB075JC-E-4-EV | <input type="checkbox"/> RCPF100JC-S-4-EV |
| <input type="checkbox"/> RCPB100JC-S-4-EV | <input type="checkbox"/> RCPF100JC-E-4-EV |
| <input type="checkbox"/> RCPB100JC-E-4-EV | <input type="checkbox"/> RCPF150JC-S-4-EV |
| <input type="checkbox"/> RCPF060JC-S-4-EV | <input type="checkbox"/> RCPF150JC-E-4-EV |
| <input type="checkbox"/> RCPF060JC-E-4-EV | |



FEATURES

- Each Capsule Pak refrigeration system consists of a pre-charged quick-connect condensing unit and evaporator coil
- Systems may be specified for compartments 14' long and under
- For use with outdoor models
- All models will be ready to mount on top of a Master-Bilt walk-in cooler or freezer
- Standard Scroll™ compressors on most models
- Standard electronic controller system
- Automatic condensate vaporizer
- Each system will be provided wired, piped, evacuated, optimally charged and run tested
- Diffuser with trim pieces provided loose for finishing box opening on inside
- Evaporator grille is designed to mount flush or recessed within a 4" thick ceiling panel
- Time clock or electronic control provided for automatic defrost on both coolers and freezers
- R449A refrigerant
- Designed to operate in ambient temperatures up to 100°F
- Systems for outdoor walk-ins contain a crankcase heater and head master
- AWEF compliant (ceiling mount only)
- -20°F ambient controls
- Standard warranty includes 18 months limited parts and labor and extended four year compressor warranty
- UL and C-UL electrical listing on complete Capsule Pak™ refrigeration systems (see p. 3 for listed components)*

OPTIONS

(Most options available two weeks from receipt of order. Please contact us for specific questions)

- Condensing unit air deflector kit
- Heater kit for outdoor use where ambient conditions may go below 32°F
- Pre-charged lines (remote models)
- Wiring harness
- 5 year compressor warranty

* C-UL is Underwriters Laboratories Safety Certification Mark which indicates that UL has tested the equipment to applicable CSA Standards.

SYSTEM SPECIFICATIONS

Capsule Pak refrigeration systems consist of a pre-charged quick-connect condensing unit and evaporator coil which are factory assembled, wired, charged, tested and fully equipped for insertion into a factory prepared walk-in opening. Condensing unit and evaporator sections are shipped separately and joined in the field via quick-connect fittings. The Capsule Pak system has a flush coil which keeps all components outside the walk-in storage area, allowing more storage inside. Models are available for ceiling mounting for use on outdoor installations. Models are available for interior compartment design temperatures of +35°F and -10°F. Installation is fast and easy.

The Capsule Pak evaporator section is a factory assembled component of the complete Capsule Pak refrigeration system. The evaporator is designed to be located entirely outside the walk-in with no intrusions into the refrigerated space. The evaporator enclosure is constructed utilizing

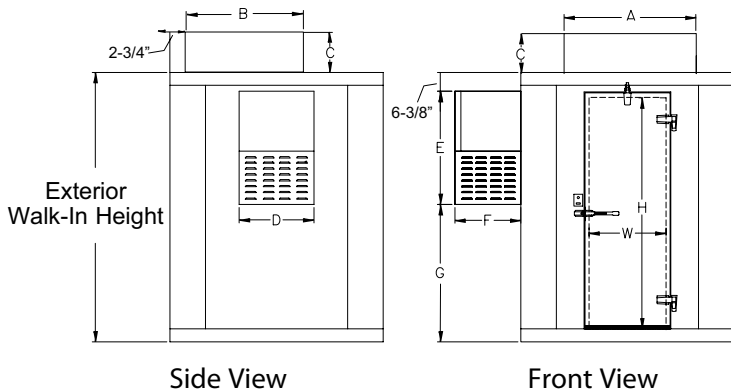
foamed-in-place polyurethane insulation and equipped with a removable, gasketed access cover. Capsule Pak models use high efficiency EC evaporator fan motors to circulate air throughout the walk-in.

All outdoor Capsule Pak models are equipped with low ambient controls consisting of crankcase heater and flooded condenser head pressure control.

All standard ceiling mount Capsule Pak refrigeration systems are UL and C-UL listed and AWEF compliant.

Note: Allow minimum of 4" clearance above and 25" on each side of the Capsule Pak system for installation. Consideration should be given to accessibility for service and free condenser air flow. Consult factory with installation questions.

PHYSICAL SPECIFICATIONS



DOOR OPENING SIZE		
W	H	MODEL
26"	66"	STD Series
26"	78"	74 Series
26"	78"	77 Series

CEILING MOUNT MODEL NO.	"A" DIMENSION	"B" DIMENSION	"C" DIMENSION
RCPB075JC-S-4-EV	46"	59-1/2"	25"
RCPB075JC-E-4-EV	46"	59-1/2"	25"
RCPB100JC-S-4-EV	46"	59-1/2"	25"
RCPB100JC-E-4-EV	46"	59-1/2"	25"
RCPF060JC-S-4-EV	46"	59-1/2"	25"
RCPF060JC-E-4-EV	46"	59-1/2"	25"
RCPF075JC-S-4-EV	46"	59-1/2"	25"
RCPF075JC-E-4-EV	46"	59-1/2"	25"
RCPF100JC-S-4-EV	46"	59-1/2"	25"
RCPF100JC-E-4-EV	46"	59-1/2"	25"
RCPF150JC-S-4-EV	46"	59-1/2"	25"
RCPF150JC-E-4-EV	46"	59-1/2"	25"

NOTE:

- Consideration must be given to accessibility for service & free condenser air flow. Consult factory with installation questions.
- +90°F ambient or less and 50% RH
- Subject to change without notice

ELECTRICAL DATA

MODEL #	VOLTAGE	COND. UNIT MCA	COND. UNIT MAX. FUSE	UNIT COOLER MCA	TOTAL SYSTEM MAX. FUSE
RCPB075JC-S-4-EV	208/230	8.6	15	0.3	15
RCPB075JC-E-4-EV	208/230	8.6	15	0.5	15
RCPB100JC-S-4-EV	208/230	11.4	15	0.3	15
RCPB100JC-E-4-EV	208/230	9.3	15	0.5	15
RCPF060JC-S-4-EV	208/230	9	15	9	15
RCPF060JC-E-4-EV	208/230	9	15	9	15
RCPF075JC-S-4-EV	208/230	9	15	9	15
RCPF075JC-E-4-EV	208/230	9	15	9	15
RCPF100JC-S-4-EV	208/230	10.7	15	9	15
RCPF100JC-E-4-EV	208/230	10.7	15	9	15
RCPF150JC-S-4-EV	208/230	18.4	30	9	30
RCPF150JC-E-4-EV	208/230	18.4	30	9	30

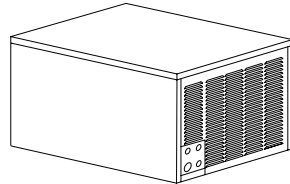
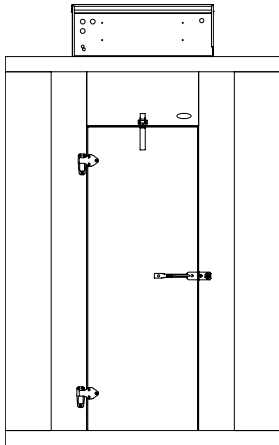
Note: Electrical specification intended to be single point connection (including electrical harness or close coupled system). All close-coupled Capsule Pak systems require one power supply and include an electrical harness to connect the condensing unit and evaporator sections.

COMPONENT LISTING

UL SA12403 SEC 3	AWEF	UL FILE SA32066	REMOTE CP MODEL
COND. UNIT ASSY. P/N		EVAP. COWL ASSY. P/N	
169379	5.61	169397	RCPB075JC-S-4-EV
169384	7.6	169398	RCPB075JC-E-4-EV
169377	5.61	169397	RCPB100JC-S-4-EV
169385	7.6	169398	RCPB100JC-E-4-EV
170249	N/A	169399	RCPF060JC-S-4-EV
169386	N/A	169400	RCPF060JC-E-4-EV
170249	N/A	169321	RCPF075JC-S-4-EV
169386	N/A	169401	RCPF075JC-E-4-EV
169380	N/A	169321	RCPF100JC-S-4-EV
169388	N/A	169401	RCPF100JC-E-4-EV
169381	N/A	169321	RCPF150JC-S-4-EV
169389	N/A	169401	RCPF150JC-E-4-EV

*Contact factory for information.

REMOTE CAPSULE PAK SYSTEMS (ALL WITH R-449A REFRIGERANT)



Outdoor "E" systems include ambient controls and weather-proof hoods with quick connects for simple field connections to pre-charged line lengths of your choice.

Consult factory for application specifics, pricing, and ship date availabilities.

Model	Cond. Unit MCA	Cond. Unit Max. Fuse	Cond. Unit Width*	Cond. Unit Length*	Cond. Unit Height*	Cond. Unit Weight*	Unit Cooler MCA	Unit Cooler Max. Fuse	Unit Cooler Length*	Unit Cooler Width*	Unit Cooler Height*	Unit Cooler Weight*	Total System MCA	Total System Max. Fuse	Cond. Unit Voltage	Cond. Unit AWEF	Unit Cooler Voltage
RCPB075JC-E-4-EV	8.6	15	33.5	26.5	20.5	175	0.5	15	33	46	25	148	9.37	15	208/230	7.6	208/230
RCPB100JC-E-4-EV	9.3	15	33.5	26.5	20.5	175	0.5	15	33	46	25	148	9.75	15	208/230	7.6	208/230
RCPF060JC-E-4-EV	9	15	33.5	26.5	20.5	175	9	15	33	46	25	138	9.15	15	208/230	N/A	208/230
RCPF075JC-E-4-EV	9	15	33.5	26.5	20.5	175	9	15	33	46	25	148	9.15	15	208/230	N/A	208/230
RCPF100JC-E-4-EV	10.7	15	33.5	26.5	20.5	175	9	15	33	46	25	148	10.04	15	208/230	N/A	208/230
RCPF150JC-E-4-EV	18.4	30	33.5	26.5	20.5	175	9	15	33	46	25	148	18.87	30	208/230	N/A	208/230

*Dimensions in inches

STANDARD ELECTRONIC CONTROLLER ON CAPSULE PAK SYSTEMS



- More precise and reliable temperature control compared to all-mechanical systems
- Online data for instant notification of error codes and settings
- Patented design saves up to 27% more energy than an all-mechanical system