

## DEADBOLT LOCKING DOOR HANDLE

*Standard on all walk-ins  
at NO ADDITIONAL COST*



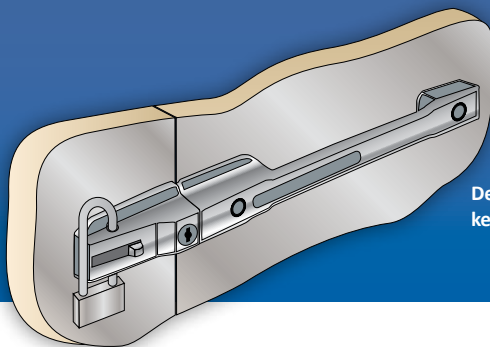
No exposed screws



Locks with key or  
optional padlock

Plastic plugs also act  
as bumpers

Handle installs with  
two screws



Deadbolt handle can be locked by  
key or with an optional padlock.

- The entire locking system is on the door frame
- There are no exposed screws anywhere on the locking mechanism
- The locking mechanism cannot be removed from the door frame exterior. Even if the handle is removed (while in locked position), the door remains locked by the deadbolt which is extended over the door exterior.
- The locking mechanism includes an inside safety release knob to avoid accidental entrapment in the walk-in
- The handle can also be locked in the fully unlocked position with key and/or padlock to prevent unauthorized locking of the door