

# L1LD0103B-TE EVAPORATOR UNIT



Note: Pictures are for illustration only, and may not reflect the listed model.



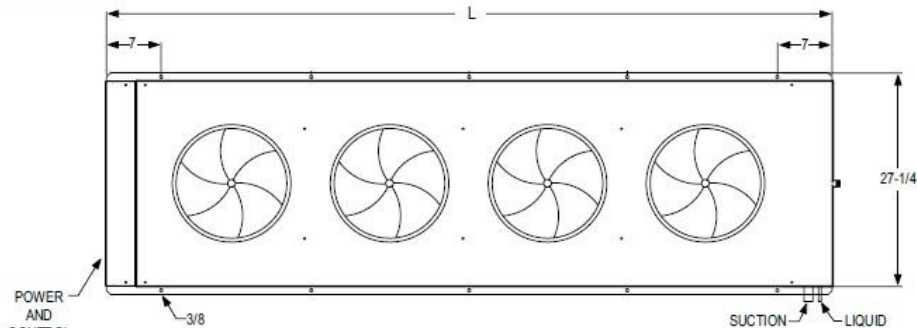
| GENERAL       |              |                  |                |            |          |
|---------------|--------------|------------------|----------------|------------|----------|
| REFRIGERANT   | VOLTAGE      | EVAPORATOR MODEL | DEFROST SCHEME | CONTROLLER | LISTINGS |
| R-448A/R-449A | 208-230/60/1 | WE6E089DDA       | ELECTRIC       | THERMOSTAT | UL/CUL   |

| BTUH CAPACITY (At Saturated Suction Temperature (SST) with 10° TD) |        |        |    |    |    |    |    |
|--|--------|--------|----|----|----|----|----|
| -30  | -20    | -10    | 20 | 25 | 30 | 35 | 45 |
| 9,914  | 10,300 | 10,686 | -  | -  | -  | -  | -  |

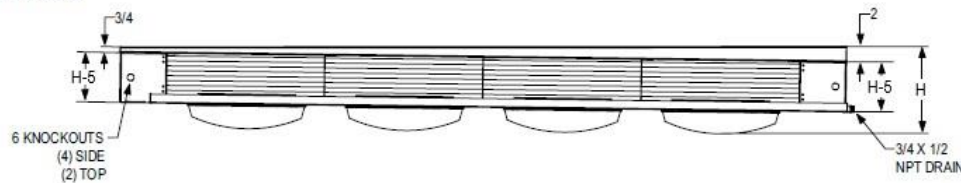
| DIMENSIONAL DATA |        |       |          | INSTALLATION |         |                  |  |
|------------------|--------|-------|----------|--------------|---------|------------------|--|
| OVERALL (inches) |        |       | WT (lbs) | CONNECTIONS  |         | REFRIGERANT TYPE |  |
| L                | W      | H     |          | LIQUID       | SUCTION |                  |  |
| 72               | 28.375 | 11.25 | 95       | 3/8          | 7/8     | R-448A/R-449A    |  |

| EVAPORATOR ELECTRICAL DATA |          |              |         | EXPANSION VALVE |              | DISTRIBUTOR NOZZLE/ORIFICE |           |
|----------------------------|----------|--------------|---------|-----------------|--------------|----------------------------|-----------|
| FAN QUANTITY               | FAN AMPS | DEFROST AMPS |         | TXV/EEV         |              | PART NUMBER                | TYPE      |
|                            |          | 1 PHASE      | 3 PHASE | PART NUMBER     | MODEL NUMBER |                            |           |
| 2                          | 1.0      | 7.8          | N/A     | 09-09600        | EBFDE-B-ZP   | -                          | L, #1-1/2 |

Bottom View



Side View



End View

