

EVAPORATOR
SIDE

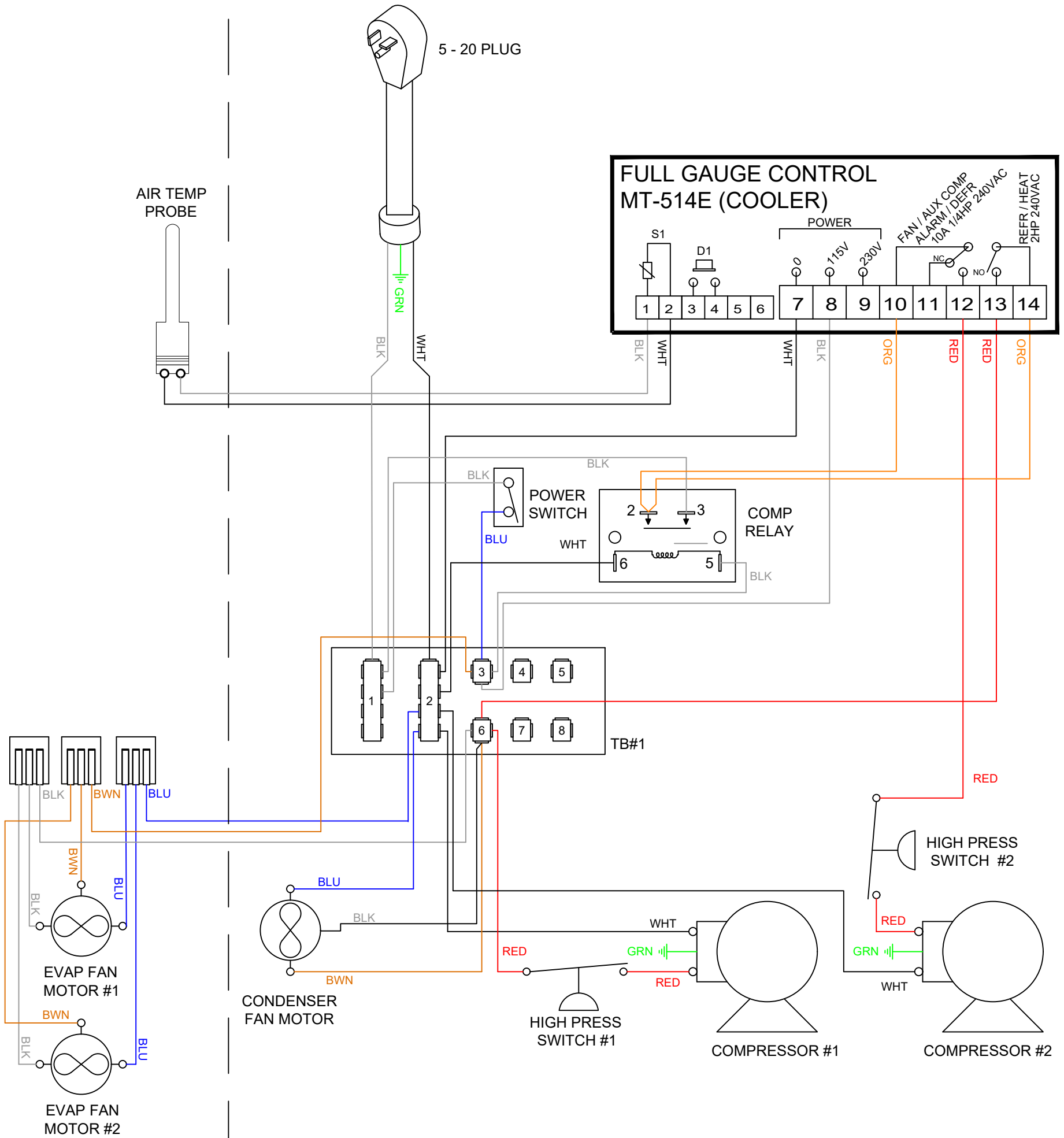
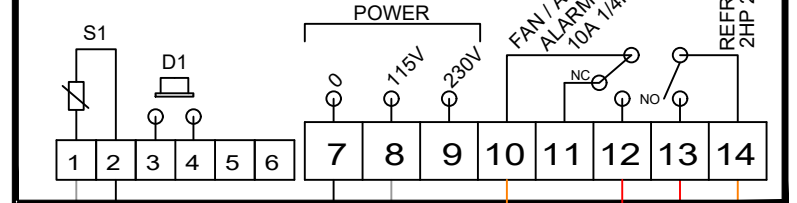
CONDENSER
SIDE

POWER SUPPLY
115V/60HZ/1PH

5 - 20 PLUG

AIR TEMP
PROBE

FULL GAUGE CONTROL
MT-514E (COOLER)



PROPERTY OF **RSG**

HUDSON,
WIS.

TITLE **WD CAP. PAK - CPB075PC/CPB100PC**

MAT'L 115/60/1

DRAWN **MP** DATE **2/14/22** APPROVED DATE:

CHECKED DATE SHEET NO. **1 of 2**

PART NO. **219540** DWG NO. **219540** REV NO. **B**

REV.	DESCRIPTION	ECN NO.	DRW/ENG	DATE
B	CONNECTED COND FAN MOTOR AND TB6		MP	2/14/22
A	ORIGINAL ISSUE		CR BL	8/26/21

MAIN LUG TORQUES:
#14 TO #10 32 IN.LBS.
#8 35 IN.LBS.
#5 TO #4 41 IN.LBS.
#3 TO #2 45 IN.LBS.
CONTACTOR & RELAYS:
#14 TO #10 35 IN.LBS.

BOLD LINES INDICATE FIELD
WIRING BY OTHERS

PART NO. **219540**
DRWG NO. **219540**

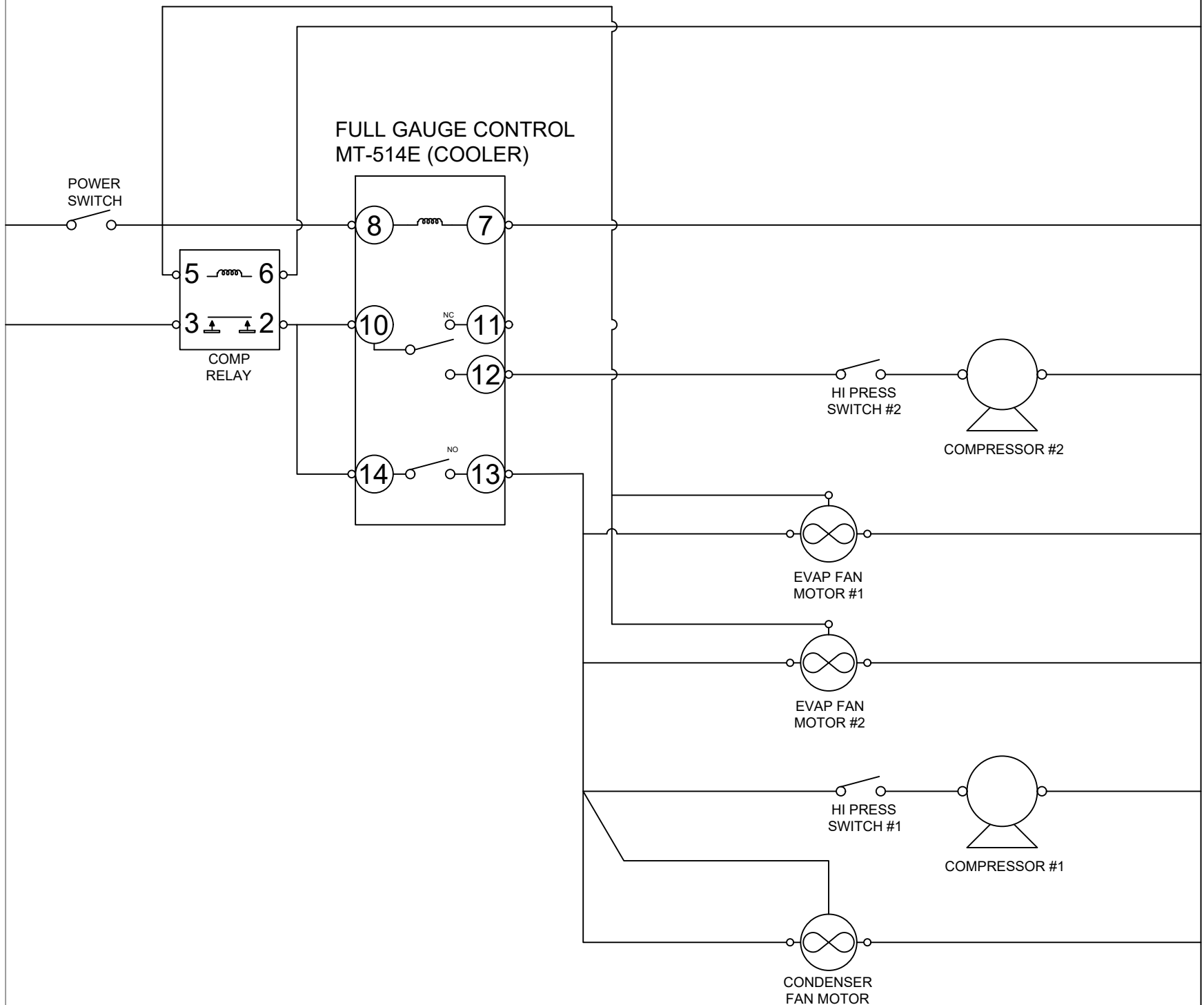
REVISIONS

LADDER DIAGRAM

POWER SUPPLY
115V/60HZ/1PH

BLK -

WHT +



PROPERTY OF NORLAKE INC.		HUDSON, WIS.
TITLE WD CAP. PAK - CPB075PC/CPB100PC		
MAT'L 115/60/1		
DRAWN MP	DATE 2/14/22	APPROVED _____ DATE: _____
CHECKED _____	DATE _____	SHEET NO. 2 of 2
PART NO. 219540	DWG NO. 219540	REV NO. B

REV.	DESCRIPTION	ECN NO.	DRW/ENG	DATE
B	CONNECTED COND FAN MOTOR AND CONTROL	13	MP	2/14/22
A	ORIGINAL ISSUE	---	CR BL	8/26/21

219540 PART NO.
219540 DRWG NO.
 BOLD LINES INDICATE FIELD WIRING BY OTHERS
 MAIN LUG TORQUES:
 #14 TO #10 32 IN.LBS.
 #8 35 IN.LBS.
 #5 TO #4 41 IN.LBS.
 #3 TO #2/0 45 IN.LBS.
 CONTACTOR & RELAYS:
 #14 TO #10 35 IN.LBS.