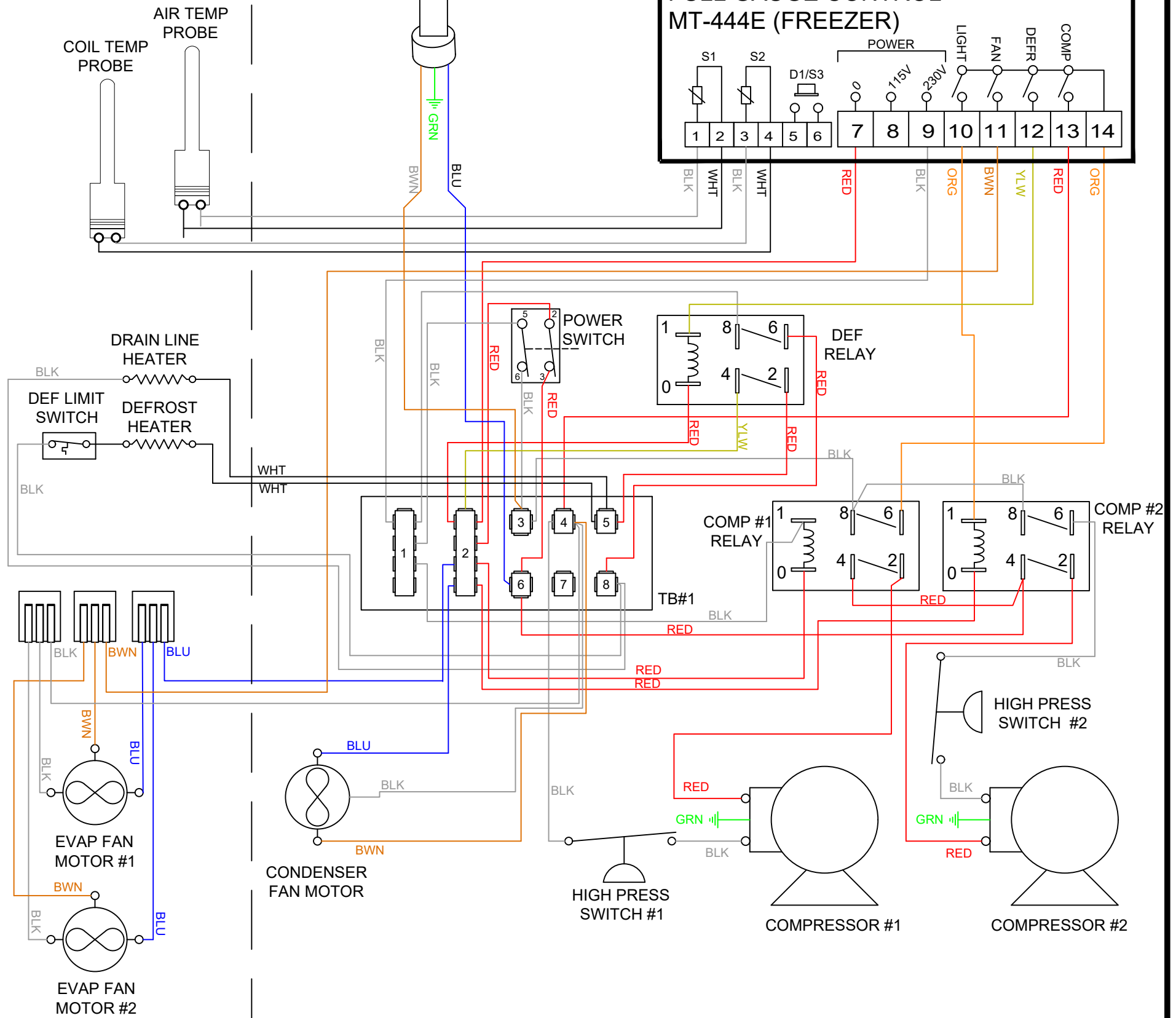
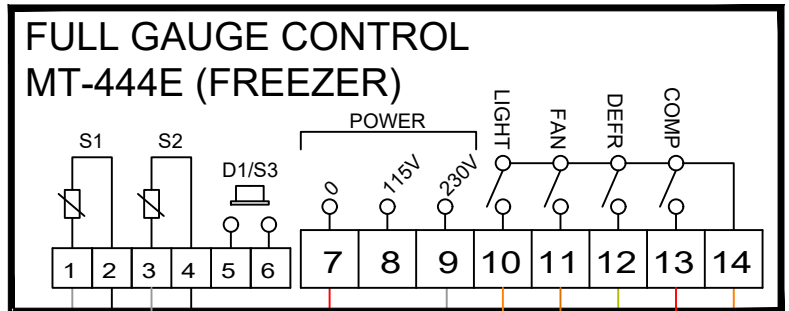
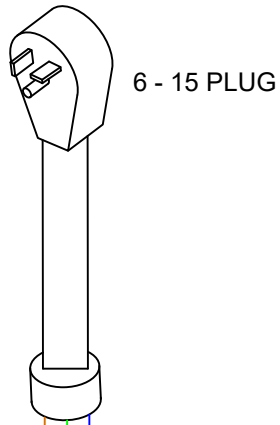


EVAPORATOR SIDE

CONDENSER SIDE

POWER SUPPLY
230V/60HZ/1PH



PROPERTY OF RSG		HUDSON, WIS.	
TITLE WD CAP. PAK CPF150PC			
MAT'L 230/60/1			
DRAWN EH	DATE 9/27/22	APPROVED	DATE:
CHECKED	DATE	SHEET NO. 1 of 1	
PART NO. 229843	DWG NO. 229843	REV NO. A	

REV.	DESCRIPTION	ECN NO.	EH	BL	DATE
A	ORIGINAL ISSUE	---	EH	BL	9/27/22
REVISIONS					

PART NO. **229843** | DRWG NO. **229843**

BOLD LINES INDICATE FIELD WIRING BY OTHERS

TORQUES:
#14 TO #10 32 IN.LBS.
#8 35 IN.LBS.
#5 TO #4 41 IN.LBS.
#3 TO #2 45 IN.LBS.
CONTACTOR & RELAYS:
#14 TO #10 35 IN.LBS.